
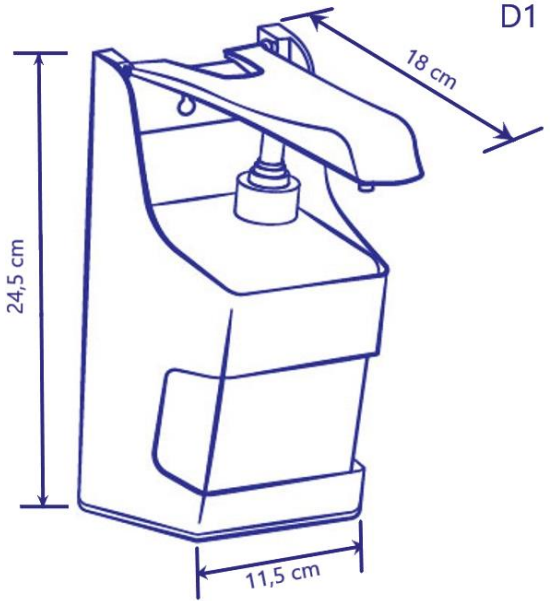


## TECHNICAL SPECIFICATIONS

APPEARANCE OF THE PRODUCT	
PHOTO	SCHEMA
	
REFILLABLE TANK	
DESCRIPTIONS	
Description of Product	Disinfectant Dispenser with Arm Lever
Product Code	D1/ D1B
Color	White / Black
Material	ABS Plastic / HDPE
Dimensions ( Height x Width x Depth in cm)	24,50 x 11,50 x 18 cm
Type	Refill
Liquid Type	Disinfectant
Liquid Capacity	1000 ml
Dosage Value per Stroke	2,2 ml
MANUFACTURER INFORMATION	
Manufacturer	Oguzhan Plastics and Moulding Co. Ltd.
Origin	Made in Türkiye

*Last Update: 02.01.2025*